

HOW TO SET UP YOUR WORMERY



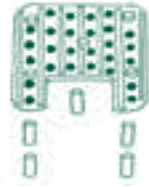
Worms x 1kg



**Tap x 1
+ Washer**



Coconut Coir x 1

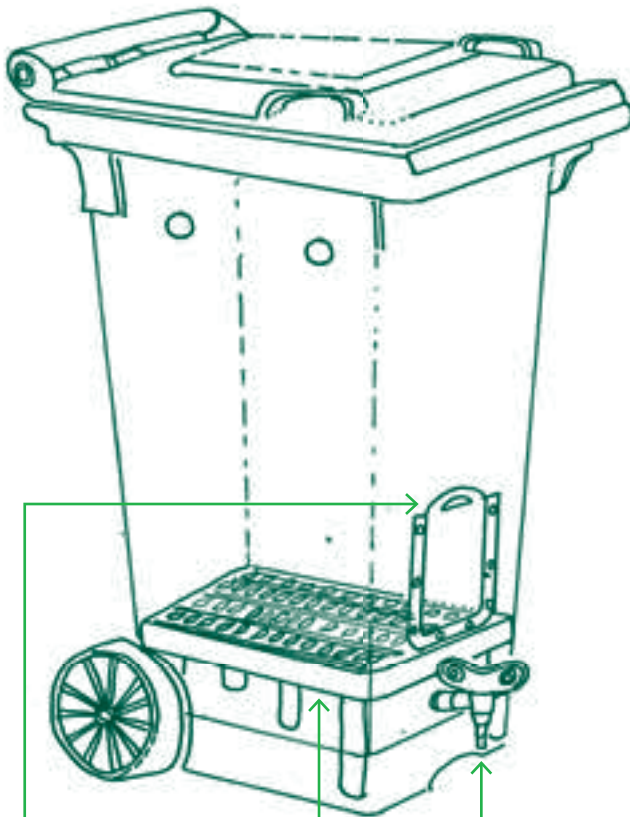


**Drainage Tray x 1
+ Legs**



**Wheelie Bin
Wormery x 1**

All our manufactured components are made using recycled plastic in a factory in the East Midlands, UK, the home of The Urban Worm.



Step 1.

Slide open the **harvesting hatch** and affix the **tap** in the hole at the front of the wormery. This will provide you with a supply of highly concentrated liquid plant feed.

Step 2.

Insert the **drainage tray** with **legs** attached inside the wormery.

Step 3.

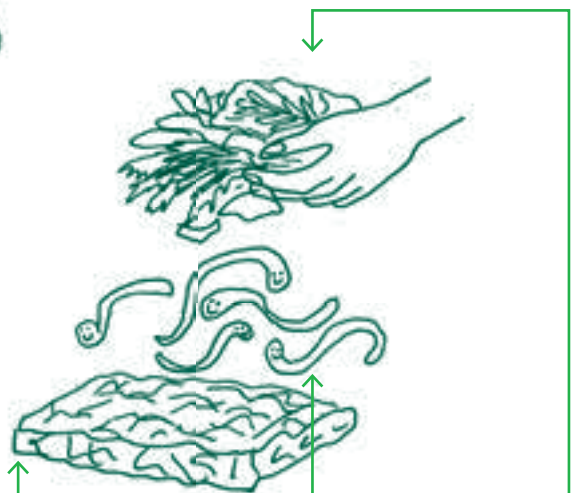
Soak your **coconut coir** for 24 hours, this will provide a starter bedding for your worms. Add it on top of the drainage tray.

Step 4.

Gently place your 1kg of **worms** (approximately 1000 worms) on top of the coconut coir bedding.

Step 5.

Feed your worms a handful of **kitchen waste**, they will be hungry after the journey to you. For the first few weeks feed only a handful of food every other day until settled in.



WORM MENU



Fruit

Vegetables

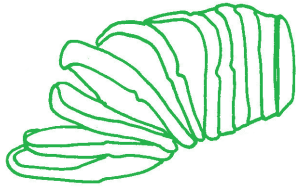
Cereal



Pasta



Bread



Tea



Coffee



Paper



Eggshells



Meat

no

Onion

Citrus

Dairy

THANKS!